



GARDENIQUE®

# Natural Fiber Planter Fountain

ITEM #DCIPF

## REMINDER

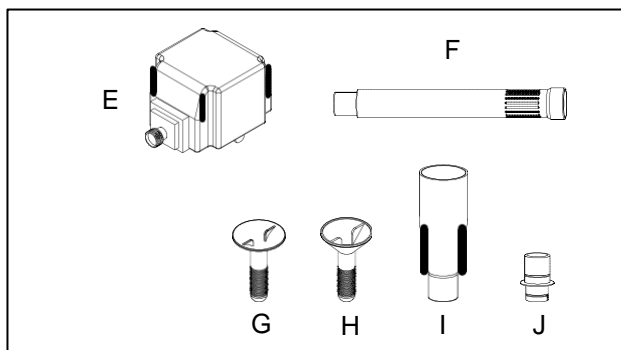
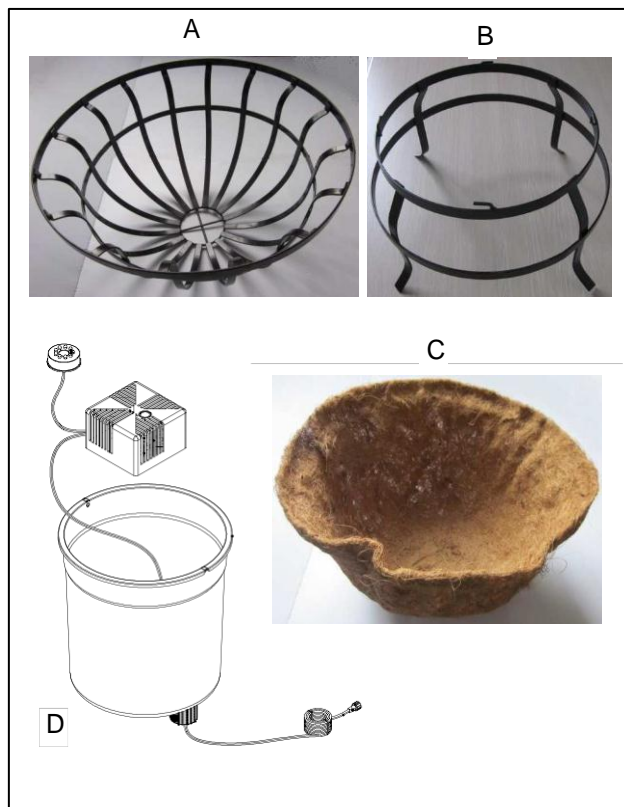
CALL 1-888-755-5641  
BEFORE RETURNING TO STORE.



Questions, problems, missing parts? Before returning to your retailer, call our customer service department at 1-888-755-5641, 8 a.m.-6 p.m., EST, Monday-Friday, or email us at [customercare@gardeniquedecor.com](mailto:customercare@gardeniquedecor.com). Or visit our website [www.gardeniquedecor.com](http://www.gardeniquedecor.com).

## PACKAGE CONTENTS

Part	Description	Quantity
A	Top frame	1
B	Base frame	1
C	Fiber planter	1
D	Tank assembly(with pump,filter and LED ring)	1
E	Transformer	1
F	Extension tubes	1
G	Waterbell nozzle insert	1
H	Trumpet nozzle insert	1
I	Lower fountain head nozzle	1
J	Adapter (with o-ring)	1



## ⚠️ WARNINGS AND CAUTIONS: PUMP

### WARNING

Risk of electrical shock. This pump is supplied with a grounding conductor and grounding-type attachment plug. To reduce the risk of electric shock, be certain that it is connected only to a properly grounded, grounding-type receptacle.

Do not exceed the voltage shown on the pump.

Always disconnect pump from the power source before beginning any maintenance or work on the pump.

Inspect cord for damage before installation and/or maintenance. Replace the entire pump assembly if damage is found.

Do not remove the grounding pin from the power cord plug.

Risk of electrical shock – This pump has not been investigated for use in swimming pools or marine areas.



PLEASE CALL 1-888-755-5641 BEFORE RETURNING TO THE STORE

## CAUTION

- This pump has been evaluated for use with water only.
- Use a proper power source as indicated on the pump label.
- Keep the cord away from high temperatures or other heat sources.
- Do not pump heated liquids.
- Do not let the pump run dry. Pump must be completely submerged for proper operation and cooling.
- Operate in freshwater only. Avoid heavily chlorinated water and water with high pH levels.
- Do not lift the pump by its power cord.

## PREPARATION

Before beginning assembly or operation of product, make sure all parts are present. Compare parts with package contents list and diagram above. If any part is missing or damaged, do not attempt to assemble, install or operate the product. Contact customer service for replacement parts.

Estimated Assembly Time: 30 minutes

No tools required for assembly.

## OPERATION INSTRUCTIONS

1. Put top frame on base frame center, then rotate it counterclockwise to lock frame together. Fig. 1

NOTE: Adjust top frame as need, make sure four snaps on base frame all lock well.

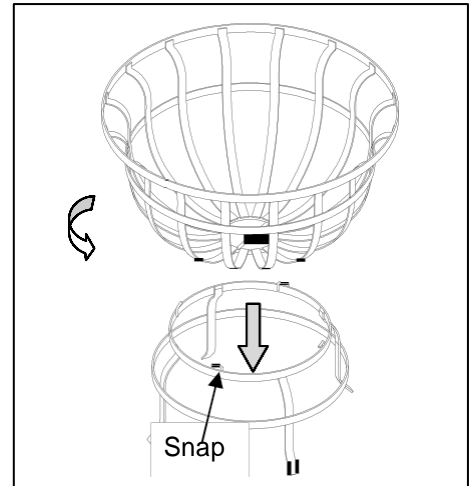


Fig. 1

2. Put the fiber planter inside frame. Fig. 2

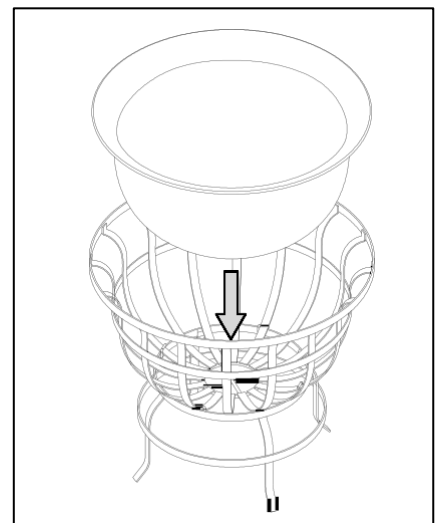
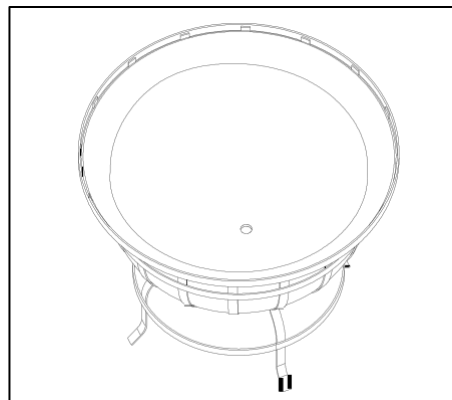


Fig. 2



PLEASE CALL 1-888-755-5641 BEFORE RETURNING TO THE STORE

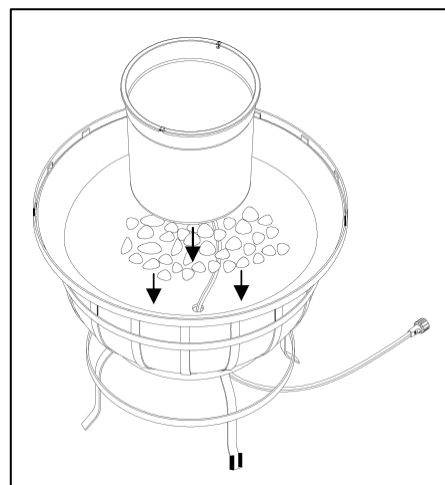
3. Make a hole appropriately 3/4 in. diameter in the bottom of fiber planter by pushing the plug by hand. Fig. 3



**Fig. 3**

4. Run the cord of pump through the new hole. Use fiber cover the hole well around the cord. Put rock or pebbles inside the bottom section of fiber planter, then place the tank assembly inside the fiber planter. Make sure the top of tank and the top of fiber planter in same level. Fig. 4

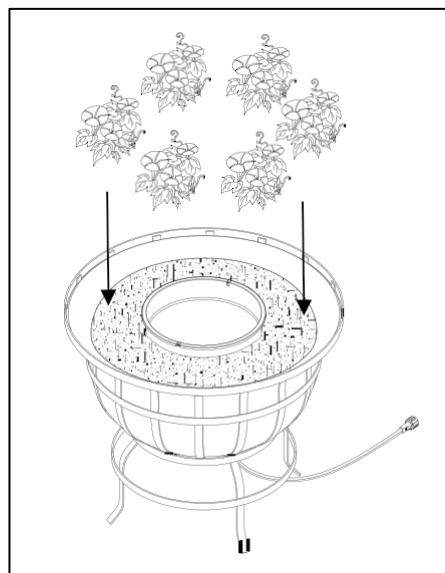
NOTE: Rock and pebbles are NOT INCLUDED.



**Fig. 4**

5. Put soil around between tank and fiber planter, then place plants in. Fig. 5

NOTE: Soil and plants are NOT INCLUDED.

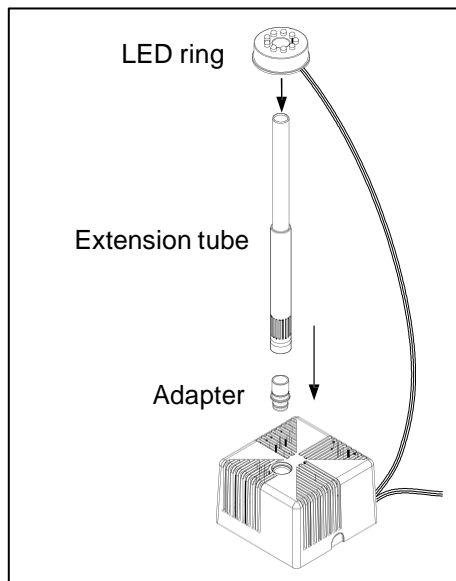


**Fig. 5**



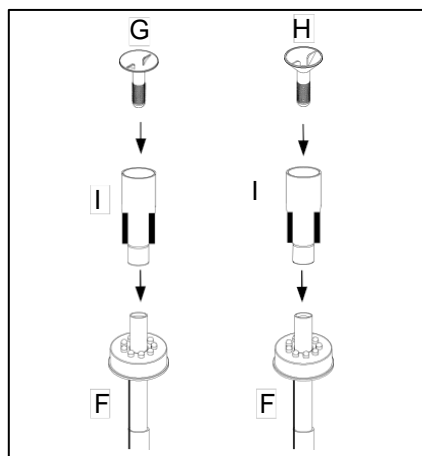
PLEASE CALL 1-888-755-5641 BEFORE RETURNING TO THE STORE

6. Assemble the LED ring and extension tubes. Connect the extension tubes to the pump using the adapter. Fig. 6



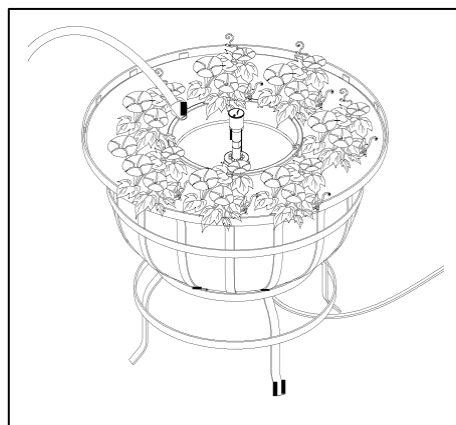
**Fig. 6**

7. Choose a fountain head for the desired water effect, and assemble your choice as shown in Fig. 7.



**Fig. 7**

8. Fill the tank with water, 2/3 up to the top. Fig. 8



**Fig. 8**



PLEASE CALL 1-888-755-5641 BEFORE RETURNING TO THE STORE

9. Connect the pump to the transformer by pushing the plug into the transformer socket until it is firmly seated. Hand tighten the nut from the plug to the socket. Fig. 9

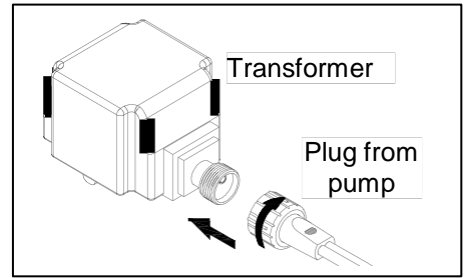


Fig. 9

10. Plug the transformer into a properly grounded electrical outlet. Fig. 10

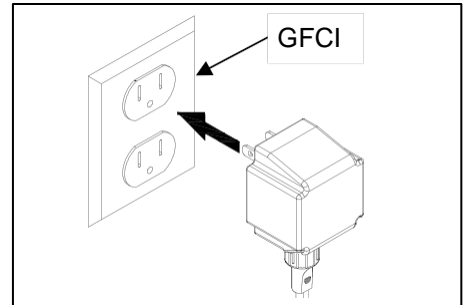


Fig. 10

## MAINTENANCE PROCEDURE

---

1. Unplug the pump, and remove it from the container. Fig. 11

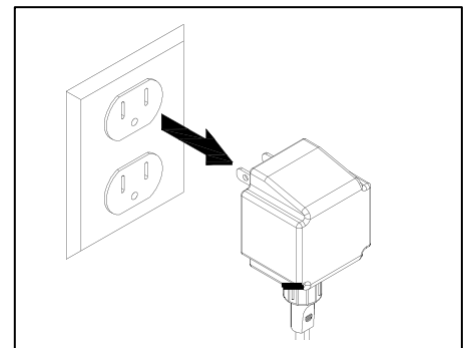


Fig. 11

2. Pull off the filter cover and remove the filter pad. Rinse the filter pad to remove any debris. Fig. 12

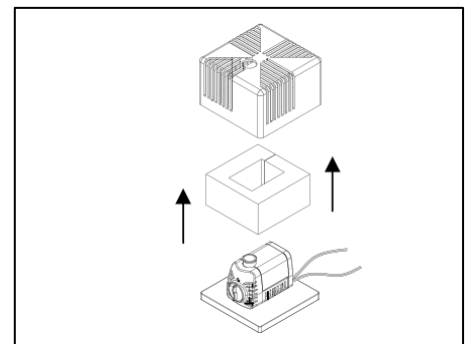
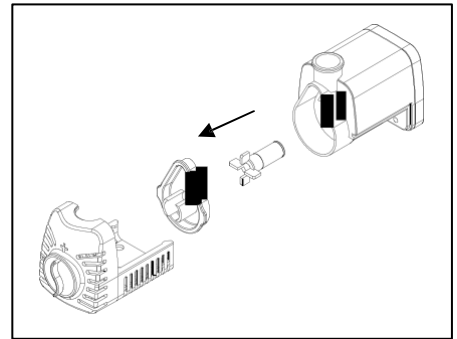


Fig. 12



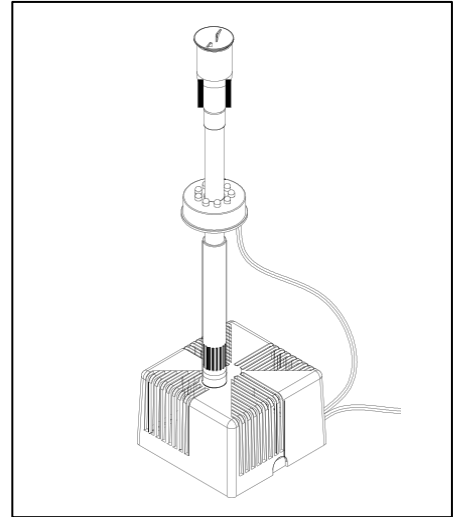
PLEASE CALL 1-888-755-5641 BEFORE RETURNING TO THE STORE

3. Disassemble the pump and clean the internals of the pump.  
Fig. 13



**Fig. 13**

4. Reassemble the pump and filter box kit. Fig. 14



**Fig. 14**

## **CARE AND MAINTENANCE - PUMP**

---

Regular cleaning of the pump may be necessary depending upon the environment in which it is operated. Clean the pump when it is visibly soiled or when a drop in performance is detected. Before cleaning, always disconnect the pump from the power source. Remove all parts from the pump and clean in warm, soapy water. Disassemble the front cover and remove the impeller cover to expose the impeller assembly. Use a soft cloth or brush to clean the impeller assembly and the inside of the impeller housing. Refer to the diagram in the replacement parts list.

## **TROUBLESHOOTING**

---

If the pump fails to operate:

- Check to make sure the power cord is plugged in and the pump is getting power.
- Check the pump outlet and any tubing, fountains, spitters etc. for kinks or obstructions.
- Remove the inlet screen and/or front cover, and impeller cover to expose the impeller. Turn the impeller to ensure that it is not broken or jammed.

If the performance of the pump is not satisfactory or the pump does not flow evenly:

- Check to make sure the pump is completely submerged in water.
- Check to make sure the impeller and the impeller housing are clean.
- Adjust flow control.

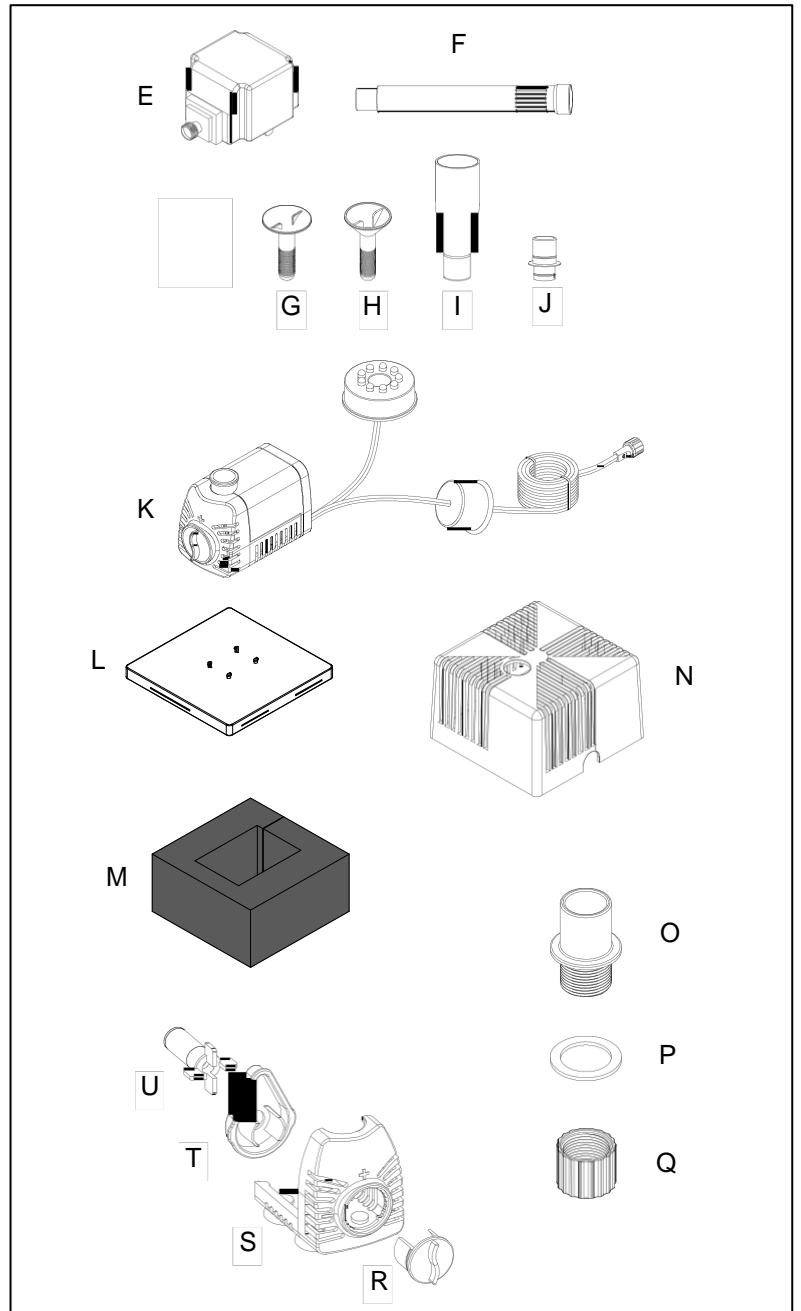


**PLEASE CALL 1-888-755-5641 BEFORE RETURNING TO THE STORE**

## REPLACEMENT PARTS LIST

For replacement parts, call our customer service department at 1-888-755-6750, 8 a.m.-6 p.m., EST, Monday-Friday, or email us at [customer care@thepondboss.net](mailto:customer care@thepondboss.net).

Part	Description
E	Transformer
F	Extension tubes
G	Waterbell nozzle insert
H	Trumpet nozzle insert
I	Lower fountain head nozzle
J	Adapter (with o-ring)
K	Pump with LED light
L	Base plate
M	Filter block
N	Filter cover
O	Bulkhead fitting
P	Gasket
Q	Nut
R	Flow control knob
S	Front cover
T	Impeller cover
U	Impeller assembly



## LIMITED WARRANTY

---

All pumps and electrical products are warranted to the user against defective material and workmanship, under normal working conditions. This warranty period begins on the date of purchase by the original purchaser.

Unless otherwise specified all GARDENIQUE® electrical products are warranted to the user against defective material and workmanship, under normal working conditions for 1 year from the date of purchase.

- Pond and Waterfall pumps are warranted for 3 years.
- GARDENIQUE® liners are warranted to the user against defective workmanship, under normal working conditions for 20 years from the date of purchase.
- All other GARDENIQUE® products are warranted to the user against defective material and workmanship, under normal working conditions for 90 days.

### **Application**

Warranty covers only properly installed and maintained units. Any damage to the cord or modification to the unit will invalidate the warranty. Pump warranty is limited to applications pumping fresh water in a pond or fountain only. Other liquid applications or extreme temperature uses must be approved in writing by the manufacturer. Receipt and product date code are required for warranty claims.

### **Warranty Claim**

**Warranty claims must be made by calling customer service (at 1-888-755-5641).** If the item is determined to be defective, you will be given authorization to return the defective part(s), freight pre-paid, along with proof of purchase.

### **Disposition**

The manufacturer will make a good faith effort for prompt disposition regarding all warranty claims. Returned product will be inspected to determine cause of failure before warranty is applied. Warranty does not cover any costs associated with the shipping, handling, installation or removal of products or parts subject to this warranty. For products damaged in transit, a claim should be filed with the carrier.

### **Disclaimer**

Any oral statements made about the product by the seller, the manufacturer, the representatives, or any other parties do not constitute warranties, should not be relied upon by the user, and are not part of the contract for sale. The seller's and manufacturer's only obligation, and buyer's only remedy shall be for the manufacturer to either replace and/or repair at the manufacturer's sole discretion, the product as described above. Neither seller nor the manufacturer shall be liable for injury, loss or damages for lost profits, lost sales, injury to person or property, or any other incidental or consequential loss arising from any cause whatsoever, no matter whether based upon warranty, contract, negligence or other misuse, and the buyer and user agree that no other remedy shall be available to them. Before using, the buyer and user shall determine the suitability of the product for the intended use, and assume all risk and liability whatsoever in connection therewith. The warranty and remedy described in this limited warranty is an exclusive warranty and remedy in lieu of any other warranty or remedy expressed or implied. All other warranties and remedies are hereby expressly excluded, including but not limited to any implied warranty of merchantability of fitness for any particular purpose. This warranty gives the buyer and user specific legal rights, and buyer and user may also have other rights which vary from state to state. Some states do not allow exclusions or limitations of incidental or consequential damages, so the above limitations or exclusions may not apply to you.

## **REMINDER**

CALL 1-888-755-5641

BEFORE RETURNING TO STORE.