



GARDENIQUE®

# Cocoa Corner Patio Pond with LED lights

ITEM # GQPPCOR

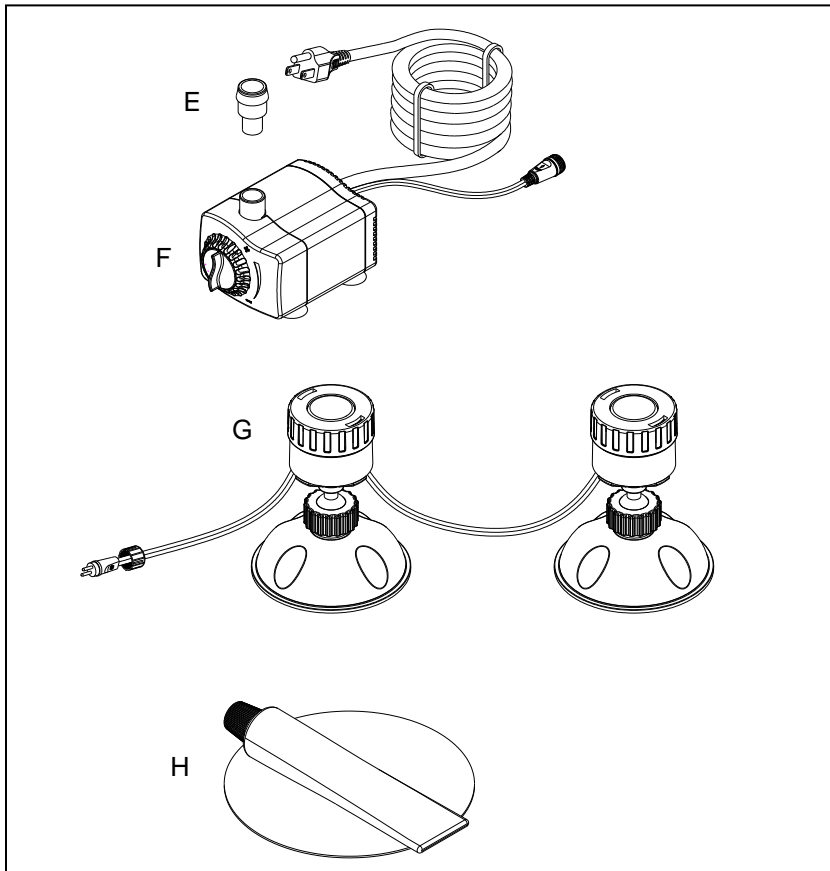
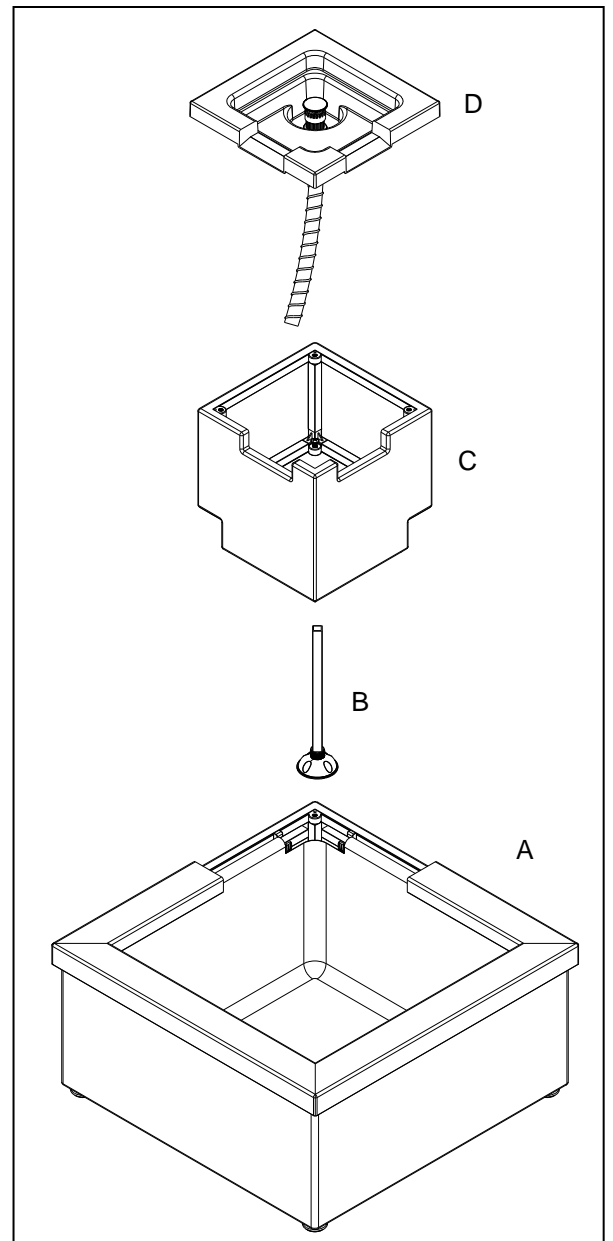
**REMINDER**  
CALL 1-888-755-5641  
BEFORE RETURNING TO STORE.



Questions, problems, missing parts? Before returning to your retailer, call our customer service department at 1-888-755-5641, 8 a.m.-6 p.m., EST, Monday-Friday, or email us at [customer care@gardeniquedecor.com](mailto:customer care@gardeniquedecor.com). Or visit our website [www.gardeniquedecor.com](http://www.gardeniquedecor.com).

## PACKAGE CONTENTS

Part	Description	Quantity
A	Lower section	1
B	Support leg	1
C	Upper section w/bolt	1
D	Spillway w/check valve, adapter and tubing	1
E	Adapter	1
F	Pump	1
G	Mini LED lights	1
H	Liner patch kit	1



## **⚠ WARNINGS AND CAUTIONS – PUMP**

---

### WARNING

- Risk of electrical shock. This pump is supplied with a grounding conductor and grounding-type attachment plug. To reduce the risk of electric shock, be certain that it is connected only to a properly grounded, grounding-type receptacle.
- Do not exceed the voltage shown on the pump.
- Always disconnect pump from the power source before beginning any maintenance or work on the pump.
- Inspect cord for damage before installation and/or maintenance. Replace the entire pump assembly if damage is found.
- Do not remove the grounding pin from the power cord plug.
- Risk of electrical shock: This pump has not been investigated for use in swimming pools or marine areas.

### CAUTION

- This pump has been evaluated for use with fresh water only.
- Use a proper power source as indicated on the pump label.
- Keep the cord away from high temperatures or other heat sources.
- Do not pump heated liquids.
- Do not let the pump run dry. Pump must be completely submerged for proper operation and cooling.
- Operate in fresh water only. Avoid heavily chlorinated water and water with high pH levels.
- Do not lift the pump by its power cord.

## **⚠ WARNINGS AND CAUTIONS – MINI LED LIGHTS**

---

### WARNING

- To reduce the risk of fire or injury, keep lamp away from materials that may burn.
- Always disconnect light from the power source before beginning any maintenance or work on the light.
- Inspect cord for damage before installation and/or maintenance. Replace the entire light/transformer assembly if damage is found.

### CAUTION

- Keep the cord away from high temperatures or other heat sources.
- Do not lift the light or the transformer by its power cord.
- This light assembly is not intended for use in swimming pools or hot tubs.

## **PREPARATION**

---

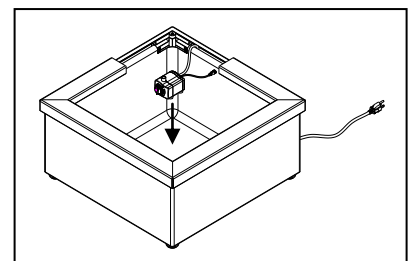
Before beginning assembly or operation of product, make sure all parts are present. Compare parts with package contents list and diagram above. If any part is missing or damaged, do not attempt to assemble, install or operate the product. Contact customer service for replacement parts.

- Estimated Assembly Time: 15 minutes
- Tools required for assembly: flathead screwdriver.

## **OPERATION INSTRUCTIONS**

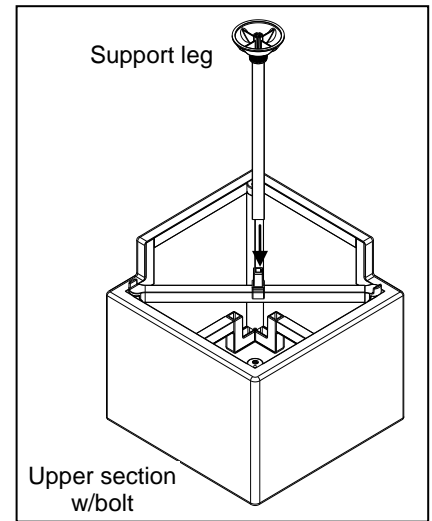
---

1. Select a level location to assemble the Patio Pond. Then place the pump inside the basin, route the cord of the pump through the back rattan between the liner and the inside wall of the rattan. Fig. 1



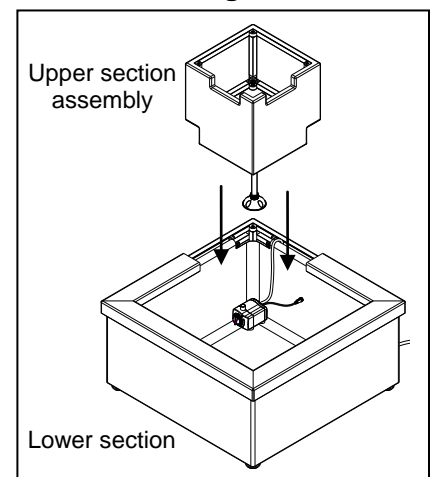
**Fig. 1**

2. Assemble the support leg to upper section w/bolt. Fig. 2



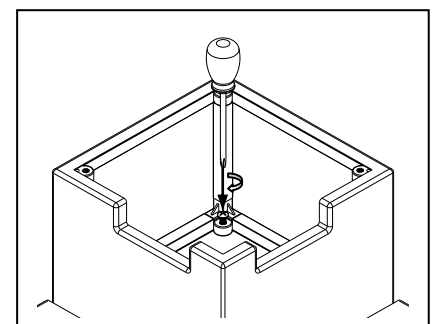
**Fig. 2**

3. Place the Upper section assembly on to the lower section. Fig. 3



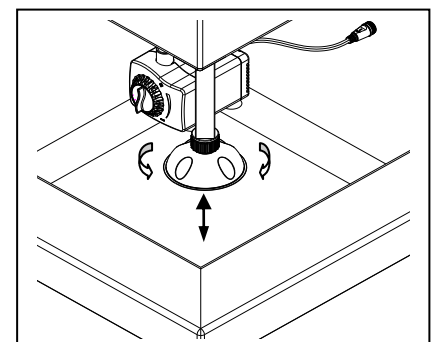
**Fig. 3**

4. Fasten the two sections together with the bolt on upper section. Fig. 4



**Fig. 4**

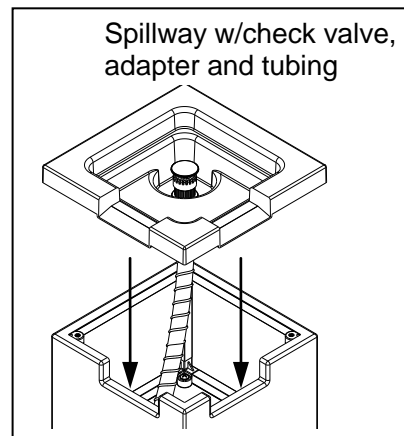
5. Adjust the height of support leg as needed to make the upper section level. Fig. 5



**Fig. 5**

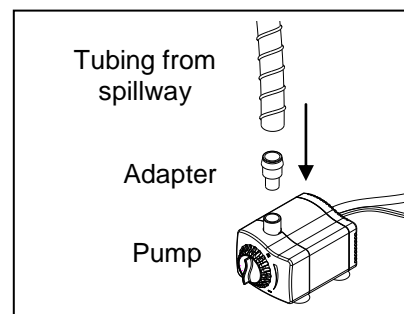
6. Place the spillway w/check valve, adapter and tubing to the upper section. Fig. 6

Notes: Tubing on spillway should be going through inside of upper section.



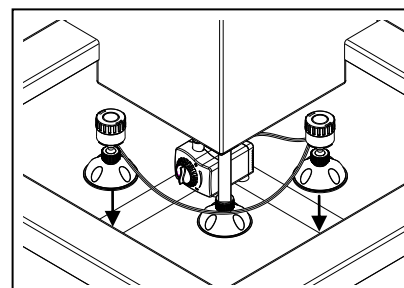
**Fig. 6**

7. Connect other side of tubing from lit spillway to outlet of pump with adapter. Fig. 7



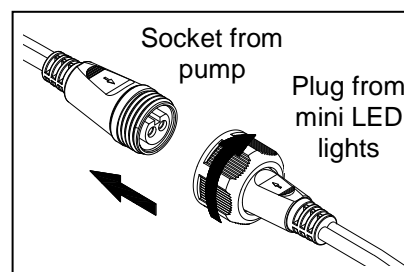
**Fig. 7**

8. Plance mini led lights inside basin.Fig. 8



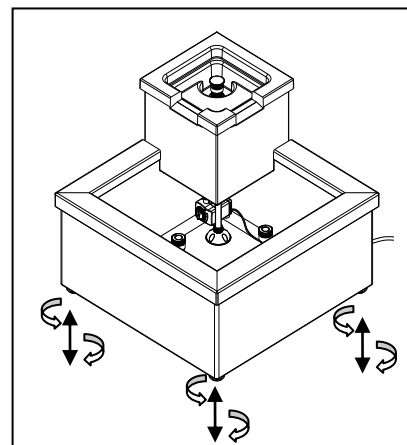
**Fig. 8**

9. Connect the mini LED light to the pump by pushing the plug into the socket until it is firmly seated. Hand tighten the nut from the plug to the socket. Fig. 9



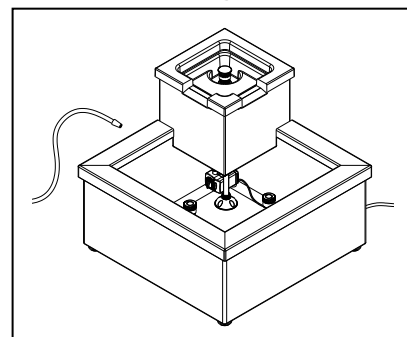
**Fig. 9**

10. Adjust the height of foot as needed. Fig. 10



**Fig. 10**

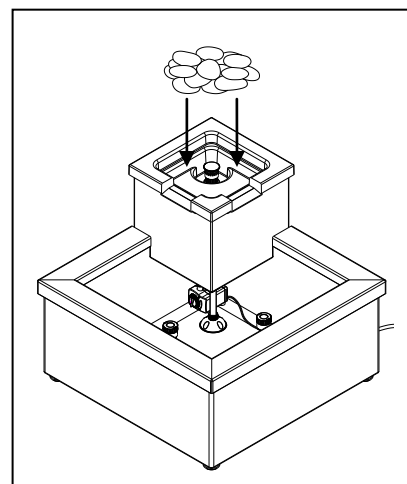
11. Fill the basin with water, make sure that the plug on basin is closed. Check for leakage. If there is a leak, use the liner patch kit provided. Fig. 11



**Fig. 11**

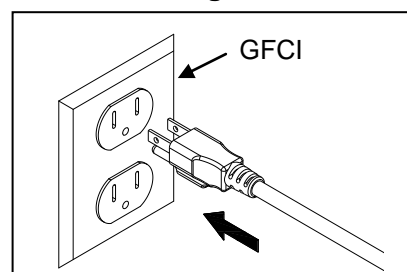
12. Place pebbles inside the spillway for a professional look. Fig. 12

NOTE: Pebbles are NOT INCLUDED.



**Fig. 12**

13. Connect the pump to a proper power source. Fig. 13



**Fig. 13**

## **CARE AND MAINTENANCE – PUMP**

---

- Clean the pump regularly depending upon the environment in which it is operated. Clean the pump when it is visibly soiled or when a drop in performance is detected.
- Before cleaning, always disconnect the pump from the power source.
- Remove all parts from the pump and clean in warm, soapy water.
- Disassemble the pump cover and remove the impeller cover to expose the impeller assembly. Use a soft cloth or brush to clean the impeller assembly and the inside of the impeller housing. Refer to the diagram in the replacement parts list.

## **CARE AND MAINTENANCE – MINI LED LIGHTS**

---

- Periodically, your lights may require cleaning for optimal performance.
- Cleaning should only be done with warm soapy water. Be sure to use biodegradable soap.
- The frequency of cleaning depends upon the conditions of the environment where lights are used.

## **TROUBLESHOOTING**

---

If the lights fails to illuminate:

- Check that it is getting power by testing another appliance in the same power outlet.
- Check to make sure the lights is properly connected to the pump.

If the pump fails to operate:

- Check to make sure the power cord is plugged in and the pump is getting power.
- Check the pump outlet and any tubing, for kinks or obstructions.
- Remove the inlet screen and/or pump cover, and impeller cover to expose the impeller. Turn the impeller to ensure that it is not broken or jammed. Also check to make sure that the ceramic shaft or bearings are not broken.

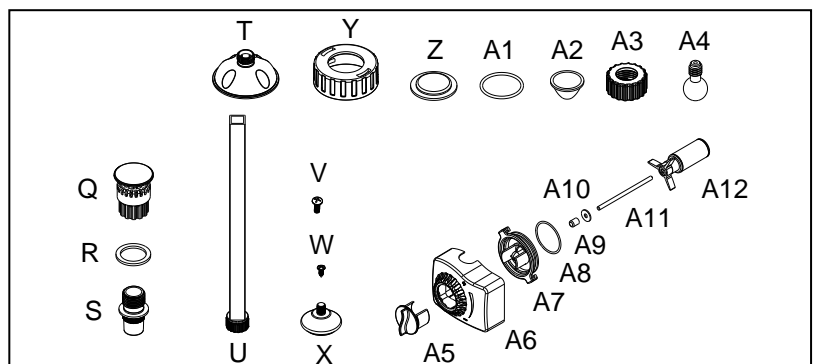
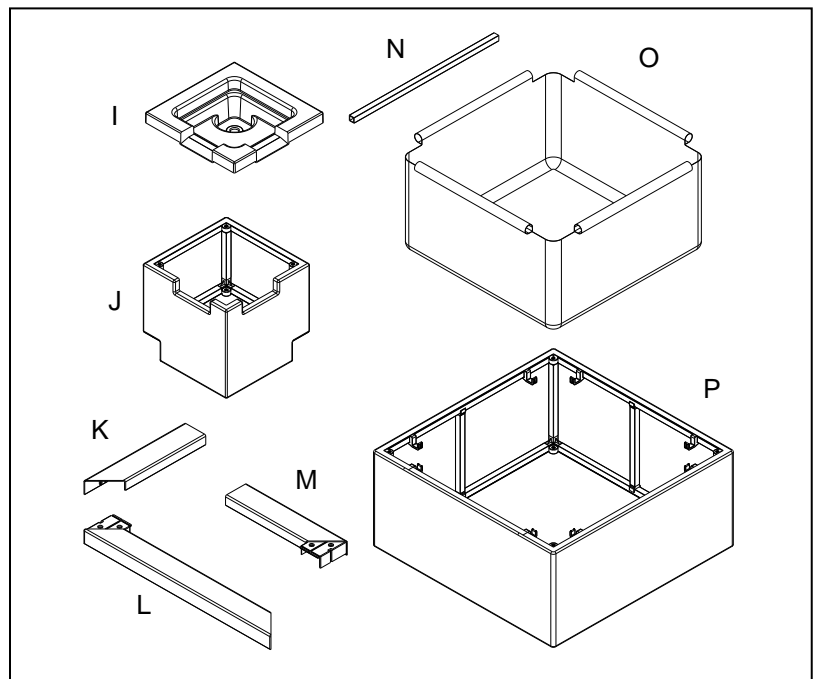
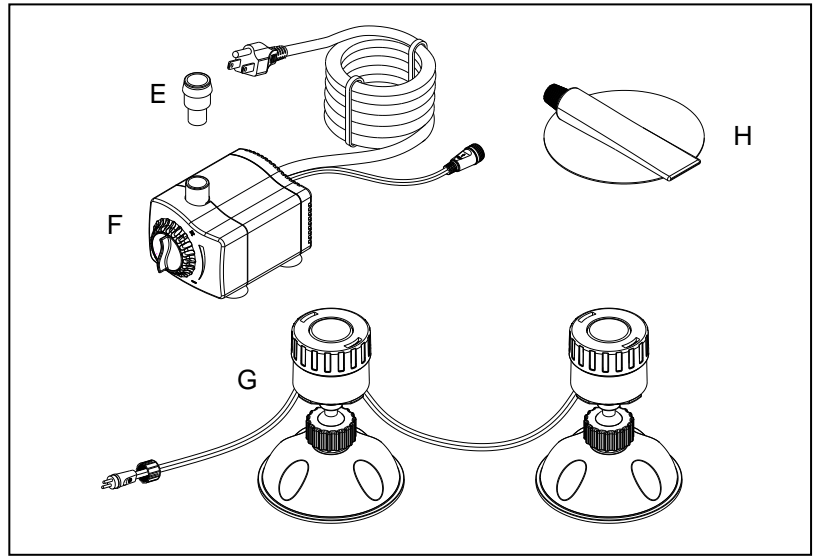
If the performance of the spillway is not satisfactory or does not flow evenly:

- Check to make sure the pump is completely submerged in water.
- Check to make sure the impeller and the housing are clean.
- Check to make sure the spillway is clean.

## REPLACEMENT PARTS LIST

For replacement parts, call our customer service department at 1-888-755-5641, 8 a.m.-6 p.m., EST, Monday-Friday.

Part	Description
E	Adapter
F	Pump
G	Mini LED lights
H	Liner patch kit
I	Spillway
J	Upper frame
K	Left - cover
L	Front/Right - cover
M	Back - cover
N	Dowel
O	Liner
P	Lower frame
Q	Check valve
R	Gasket
S	3/4" adapter
T	Base
U	Support pole
V	Bolt
W	Screw
X	Foot
Y	Lamp retaining ring
Z	Len
A1	Small O-ring
A2	Reflector
A3	Locking nut
A4	Adjust ball pin
A5	Flow control knob
A6	Front cover
A7	Impeller cover
A8	O-ring
A9	Shaft support
A10	Washer
A11	Shaft
A12	Impeller assembly



Printed in China

## LIMITED WARRANTY

---

All pumps and electrical products are warranted to the user against defective material and workmanship, under normal working conditions. This warranty period begins on the date of purchase by the original purchaser.

Unless otherwise specified all GARDENIQUE® electrical products are warranted to the user against defective material and workmanship, under normal working conditions for 1 year from the date of purchase.

- Pond and Waterfall pumps are warranted for 3 years.
- GARDENIQUE® liners are warranted to the user against defective workmanship, under normal working conditions for 20 years from the date of purchase.
- All other GARDENIQUE® products are warranted to the user against defective material and workmanship, under normal working conditions for 90 days.

### **Application**

Warranty covers only properly installed and maintained units. Any damage to the cord or modification to the unit will invalidate the warranty. Pump warranty is limited to applications pumping fresh water in a pond or fountain only. Other liquid applications or extreme temperature uses must be approved in writing by the manufacturer. Receipt and product date code are required for warranty claims.

### **Warranty Claim**

**Warranty claims must be made by calling customer service (at 1-888-755-5641).** If the item is determined to be defective, you will be given authorization to return the defective part(s), freight pre-paid, along with proof of purchase.

### **Disposition**

The manufacturer will make a good faith effort for prompt disposition regarding all warranty claims. Returned product will be inspected to determine cause of failure before warranty is applied. Warranty does not cover any costs associated with the shipping, handling, installation or removal of products or parts subject to this warranty. For products damaged in transit, a claim should be filed with the carrier.

### **Disclaimer**

Any oral statements made about the product by the seller, the manufacturer, the representatives, or any other parties do not constitute warranties, should not be relied upon by the user, and are not part of the contract for sale. The seller's and manufacturer's only obligation, and buyer's only remedy shall be for the manufacturer to either replace and/or repair at the manufacturer's sole discretion, the product as described above. Neither seller nor the manufacturer shall be liable for injury, loss or damages for lost profits, lost sales, injury to person or property, or any other incidental or consequential loss arising from any cause whatsoever, no matter whether based upon warranty, contract, negligence or other misuse, and the buyer and user agree that no other remedy shall be available to them. Before using, the buyer and user shall determine the suitability of the product for the intended use, and assume all risk and liability whatsoever in connection therewith. The warranty and remedy described in this limited warranty is an exclusive warranty and remedy in lieu of any other warranty or remedy expressed or implied. All other warranties and remedies are hereby expressly excluded, including but not limited to any implied warranty of merchantability of fitness for any particular purpose. This warranty gives the buyer and user specific legal rights, and buyer and user may also have other rights which vary from state to state. Some states do not allow exclusions or limitations of incidental or consequential damages, so the above limitations or exclusions may not apply to you.

**REMINDER**  
**CALL 1-888-755-5641**  
**BEFORE RETURNING TO STORE.**